

Ty

Recyclable Shower Curtain

Ty is a simple #2 plastic shower curtain. Unlike other shower curtains made of vinyl, Ty will not off-gas in your home. Also unlike vinyl, Ty breathes – making it less likely to grow gross mold and mildew. Ty is stronger than vinyl and will last a very long time, then it can be recycled.

Dimensions:

Height: 72 in / 183 cm

Width: 60 in / 152 cm

Color:

White

Material:

100% High-Density Polyethylene (HDPE) and nickel plated metal grommets. HDPE is one of the most commonly recycled plastics and is PVC free.

Care:

Ty can be machine washed with a mild detergent. Washing will create a soft linen-like texture. Cold water only. Please hang dry. No iron.

Recycle:

At the end of Ty's useful life, cut off the metal grommets and recycle locally. The rest of Ty can be recycled at a facility that accepts #2 plastics, or by returning it to Grain at: 1201 Wing Point Way NE, Bainbridge Island, WA 98110.

Environmental / Social:

Recyclable, Non-Toxic, Ethically Produced, Supports Small U.S. Business, 1% For The Planet

Process:

Manufacturing waste is minimal and recycled in our shop. Packaging is minimal and printed on 100% post consumer recycled content chipboard using locally sourced soy-based inks.

Origin:

Made in the Pacific Northwest, USA.

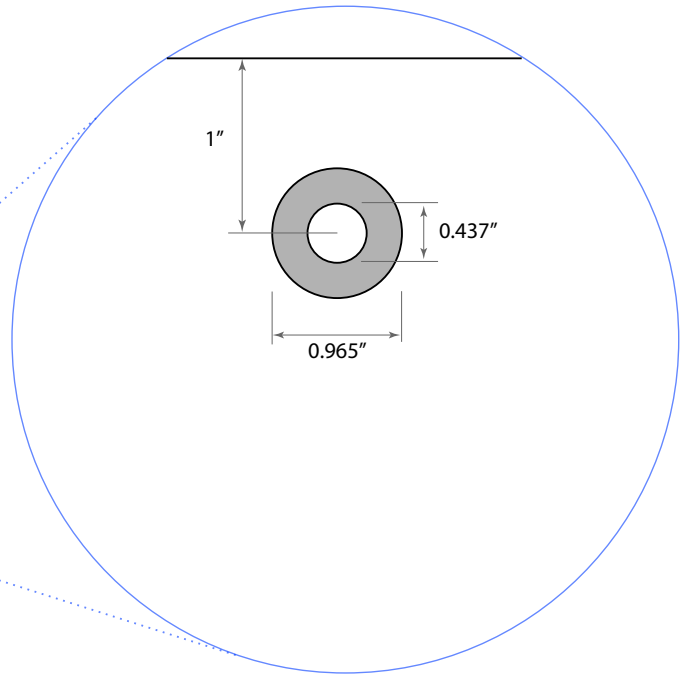
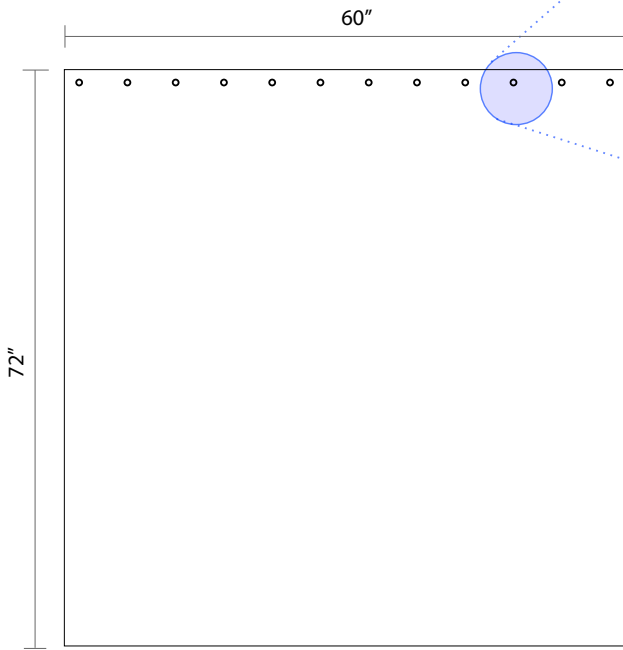
Price:

\$30.00

Wholesale and trade prices are available. Contact shop@graindesign.com for more information.



Ty



Availability:

Please allow 2 – 4 weeks.

Special Orders:

Custom dimensions are available. Please contact shop@graindesign.com for more information.

About:

Ty is designed and manufactured by Grain. We are committed to socially and environmentally responsible design. Find out more online at: www.graindesign.com

Purchase/Contact:

www.graindesign.bigcartel.com
shop@graindesign.com

grain.



©2009 Grain Design LLC.